

Houston Vessel Manufacturing



Pig Launchers & Receivers



Various sizes and pressures

Easy to install

Designed to ASME B31.4, B31.8 and ASME Sec. VIII

100% inspected and tested

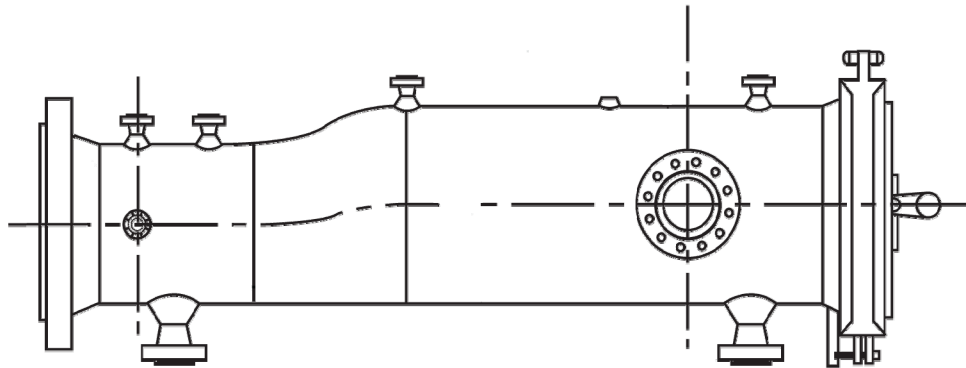
Available in customer specified colors



Pig Launchers & Receivers

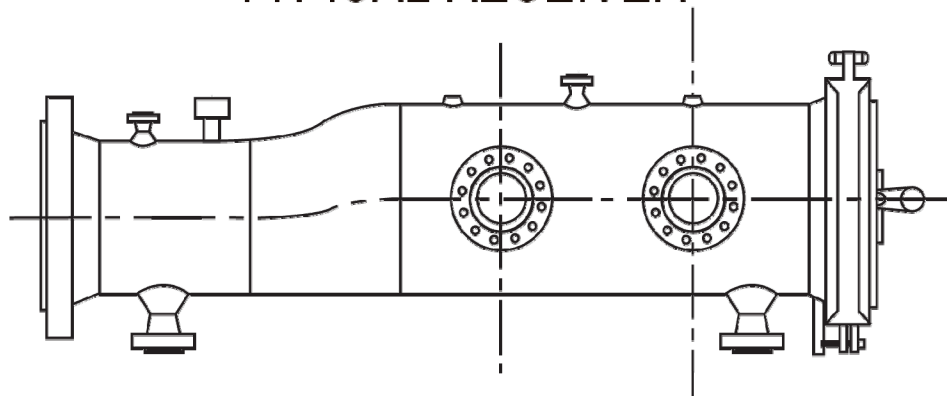


TYPICAL LAUNCHER



Designed and fabricated to your needs and specifications

TYPICAL RECEIVER



Houston Vessel Manufacturing LLC
(713) 937-5299
EMAIL: sales@houstonvessel.com
www.houstonvessel.com

